

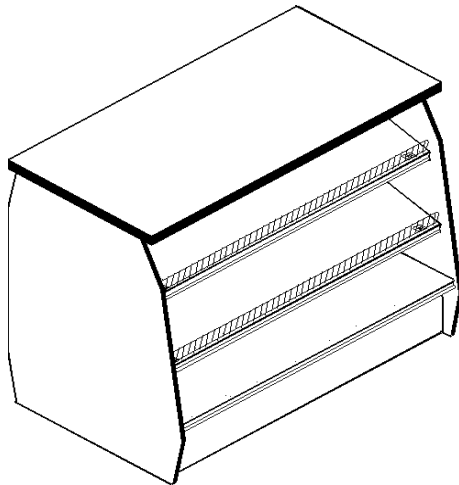


PRODUCT INDEX

<i>Bag holder</i>	M-03
<i>Bag hook</i>	M-03
<i>Cash counter (convenience store style)</i>	M-01
<i>Cash counter countertop</i>	M-02
<i>Cash counter side panel</i>	M-02
<i>Countertop bracket</i>	M-02
<i>Debris channel</i>	M-01
<i>Kickplate cap</i>	M-02
<i>Side panel attachment</i>	M-02
<i>Stainless steel counter cover</i>	M-01

CASH (CONVENIENCE STORE STYLE)

36" high x 28" deep x base 10" rear / 14" front



FRONT

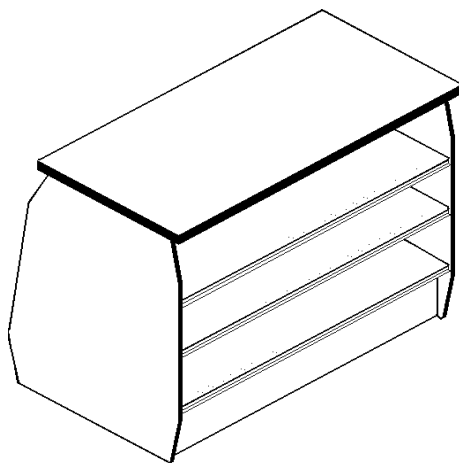
Including 2-12" inclinable shelves, 2 wire fences, 2-10" straight shelves. (clerk's side)

Countertop and side panels are not included

- CPU-24-0000 Starter 24" long
- CPU-30-0000 Starter 30" long
- CPU-36-0000 Starter 36" long
- CPU-48-0000 Starter 48" long

- CAU-24-0000 Add-on 24" long
- CAU-30-0000 Add-on 30" long
- CAU-36-0000 Add-on 36" long
- CAU-48-0000 Add-on 48" long

36" high x 32" deep x base 14" rear / 14" front



REAR

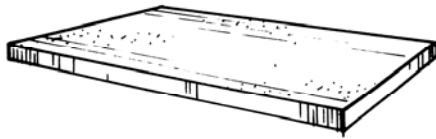
Including 2-12" inclinable shelves, 2 wire fences, 2-12" straight shelves.(clerk's side)

Countertop and side panels are not included

- CPU-24-1414 Starter 24" long
- CPU-30-1414 Starter 30" long
- CPU-36-1414 Starter 36" long
- CPU-48-1414 Starter 48" long

- CAU-24-1414 Add-on 24" long
- CAU-30-1414 Add-on 30" long
- CAU-36-1414 Add-on 36" long
- CAU-48-1414 Add-on 48" long

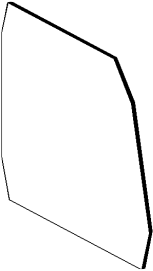
COUNTERTOP



*With plastic laminate
Pricing on request*

Always add 4" to the total length of the structure

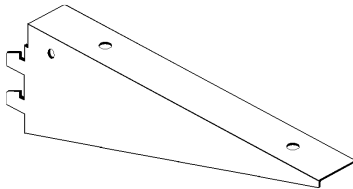
SIDE PANEL



*Available in melamine or with plastic laminate
at your choice
Pricing on request*

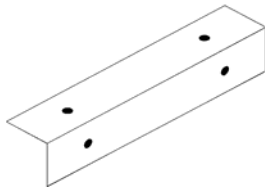
041-02-0001 *Base 10/14" - model A29*
041-02-0000 *Base 14/14" - model A33*

COMPONENT



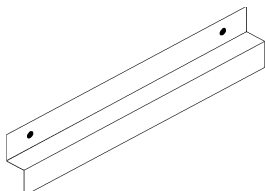
Countertop bracket
006-G3-0007 *7" left*
006-D3-0007 *7" right*

006-G3-0010 *10" left*
006-D3-0010 *10" right*



006-G3-0014 *14" left*
006-D3-0014 *14" right*

011-06-0004 *4" top and end panel attachment*

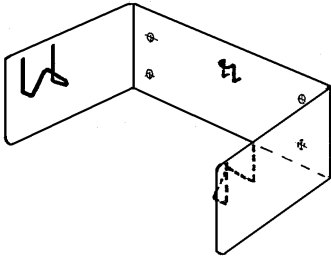


011-06-0010 *10" end panel bottom attachment*

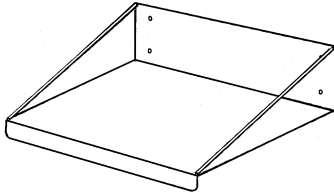


011-06-0001 *Kickplate cap*

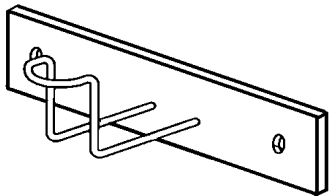
BAG HOLDER



425-01-0002 *Upper and lower part
12" wide x 8" deep x 4" high*

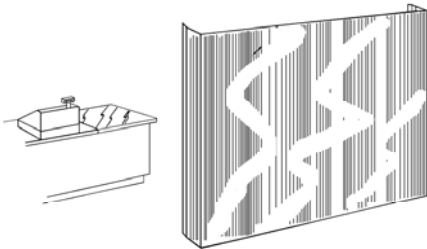


BAG HOOK



425-01-0001 *4" long x 1" high*

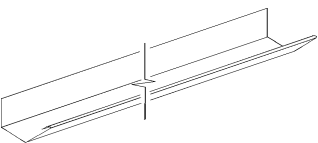
STAINLESS STEEL COUNTER COVER



026-09-2424 *24" x 24"*
026-09-4824 *24" x 48"*

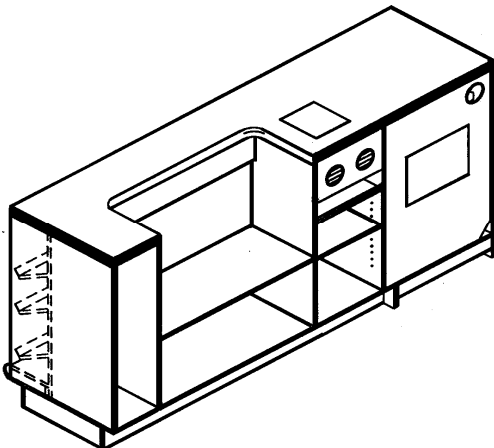
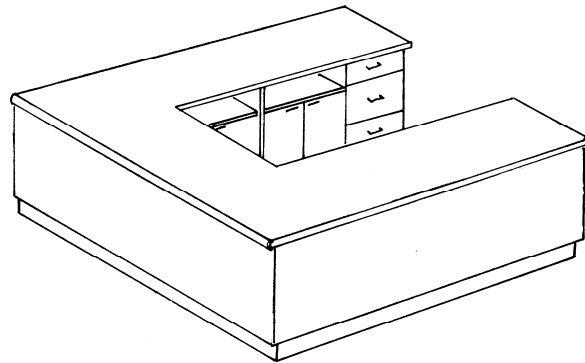
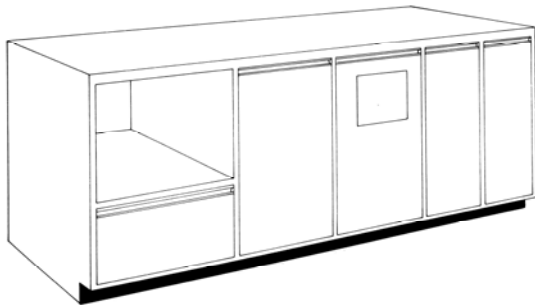
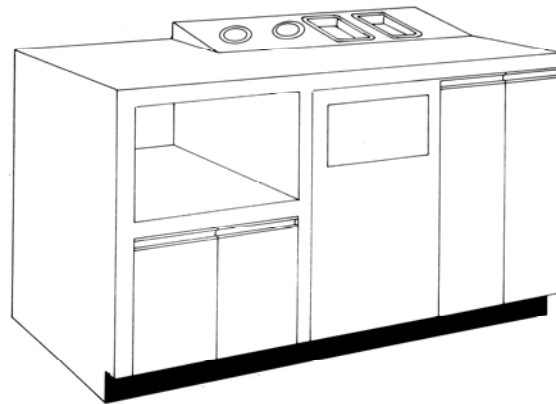
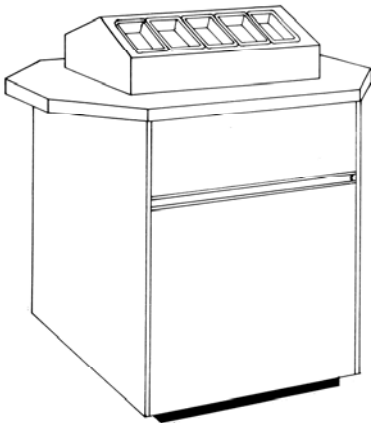
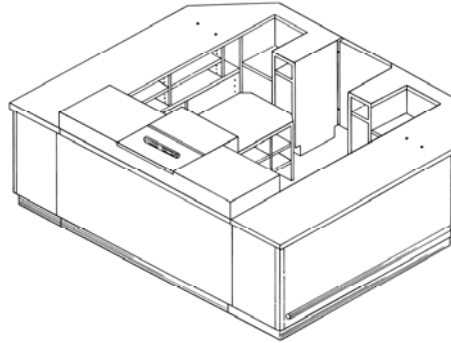
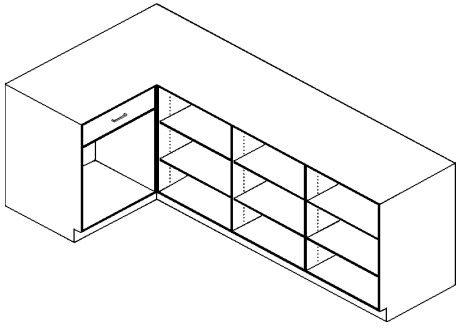
Pricing on request

DEBRIS CHANNEL



011-09-0036 *36" long - painted finish*
011-09-0048 *48" long - painted finish*
011-09-0060 *60" long - painted finish*
011-09-0072 *72" long - painted finish*

MISCELLANEOUS



CASH COUNTER



SERVICE COUNTER WITH HALF-PEG SECTION ON CLIENT'S SIDE

